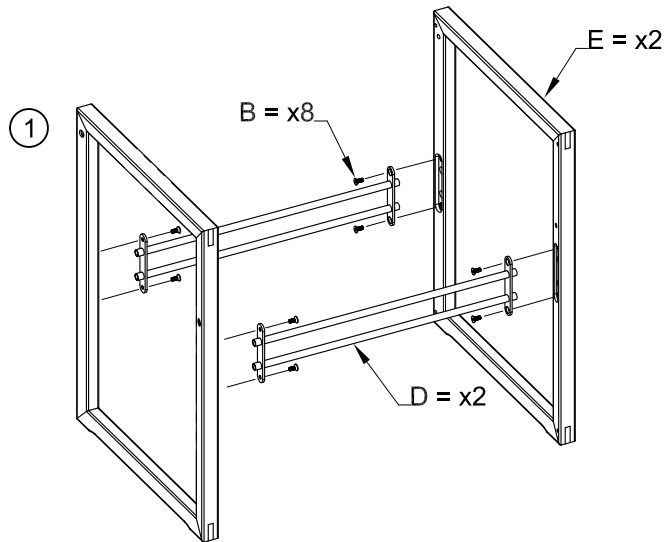


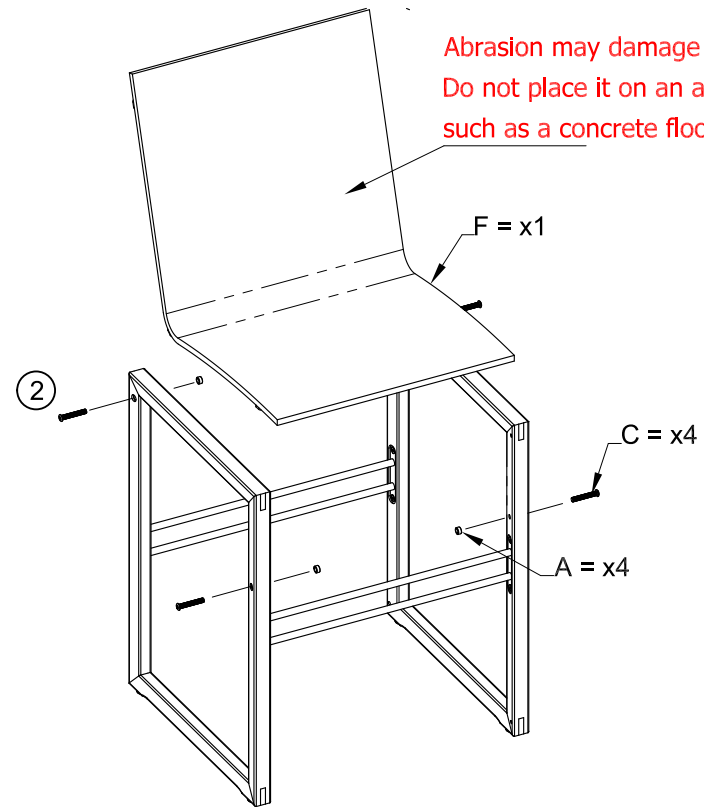
VEVI DINING CHAIR

ASSEMBLY INSTRUCTION

Tools required:
-4mm allen key (included)



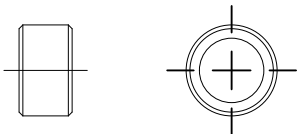
1. Secure the two stainless steel tubes assembly in place using the supplied allen key and 8pcs flat head bolt M6x16mm - Do not fully tighten the bolts, instead secure them loosely in place with two turns only



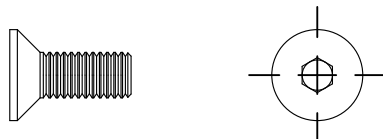
2a. Line the seat/back assembly up with the 4 upper holes in the teak frames and secure them loosely in place (two turns only) with the custom bolt M8x50mm - Note that there must be $\varnothing 12 \times 7$ mm spacers between the teak frames and the seat assembly

2b. Tighten the 8pcs flat head bolt M6x16mm fully, followed by the tightening the 4pcs costum bolt M8x50mm

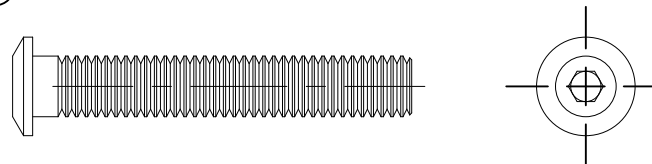
(A) Spacer $\varnothing 12 \times 7$ mm



(B) Flat Head Bolt M6x16mm



(C) Custom Bolt M8x50mm



(D) Stainless Steel Tube Assembly

(E) Teak Side Frame

(F) Seat Assembly