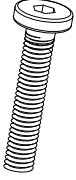

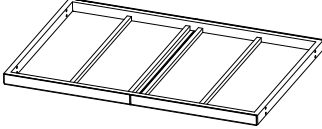
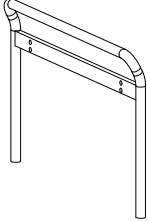


Assembly instruction

A	B	C	D
 M6*40			
8PCS	1PC	1PC	2PCS

