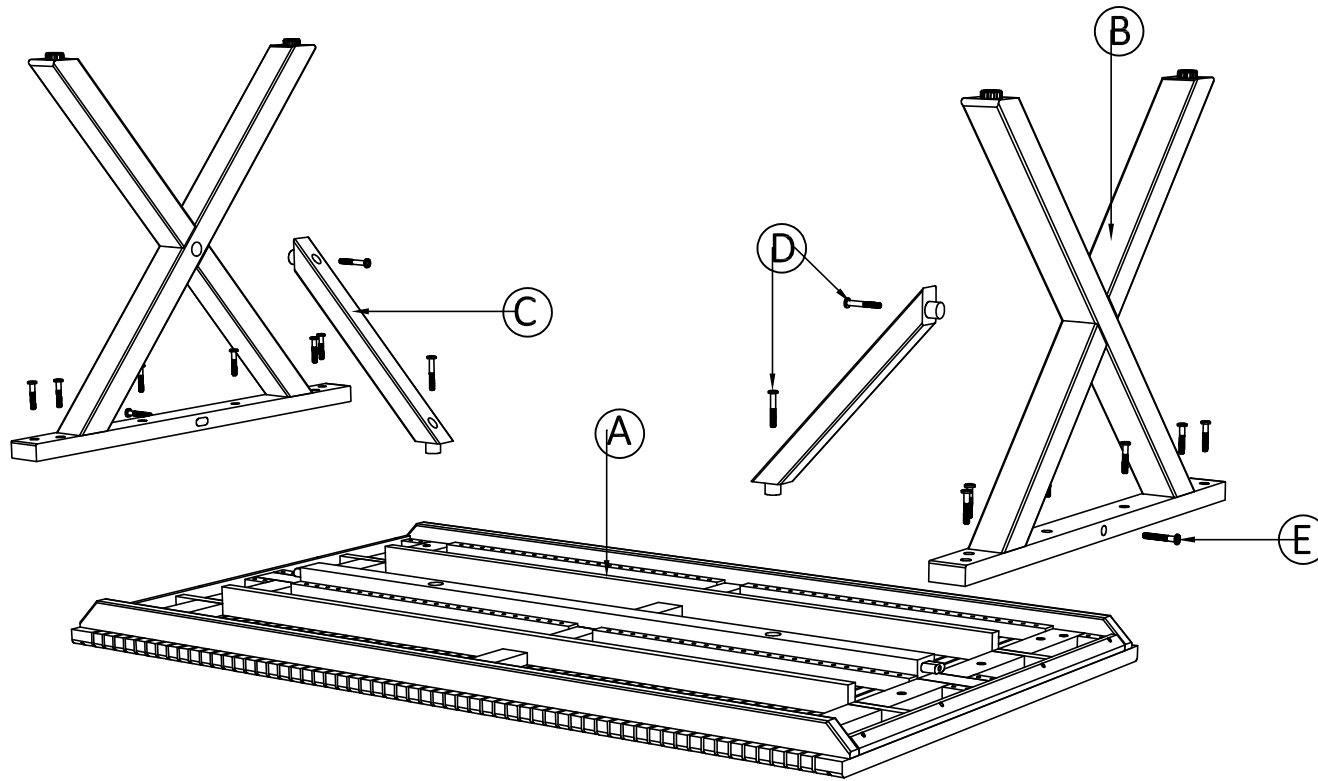


Assembly Intruccion



A	1 pcs	B	2 pcs	C	2 pcs	D	16 pcs	 L.5
						L.5 40 mm		
					E 2 pcs	L.5 60 mm		